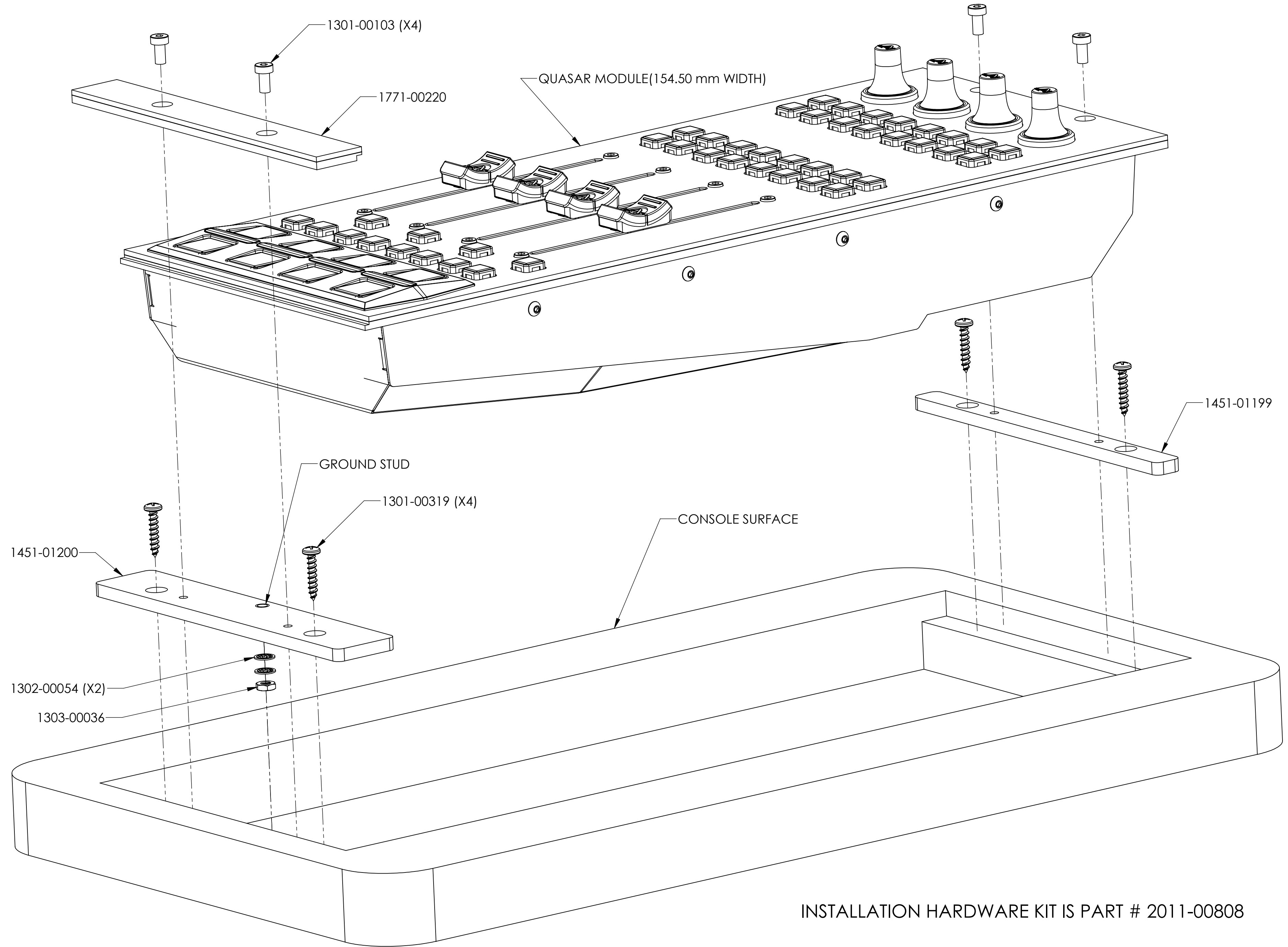


INSTALLATION GUIDE FOR DIRECT MOUNTING 154.50 WIDTH QUASAR MODULES



INSTALLATION HARDWARE KIT IS PART # 2011-00808

DWG REV	ECN NO	DATE	ENG	DFT	APPR BY	DESCRIPTION
001	2502	02-15-21	SK	SK	XX	INITIAL RELEASE

3rd ANGLE PROJECTION

 METRIC DRAWING (mm)
 DIMENSIONAL TOLERANCE
 UNLESS OTHERWISE
 SPECIFIED:
 XX. = ± 3.0 .XXX = ± 0.12
 .X = ± 1.0 ANG. = ± 1 DEG
 .XX = ± 0.3

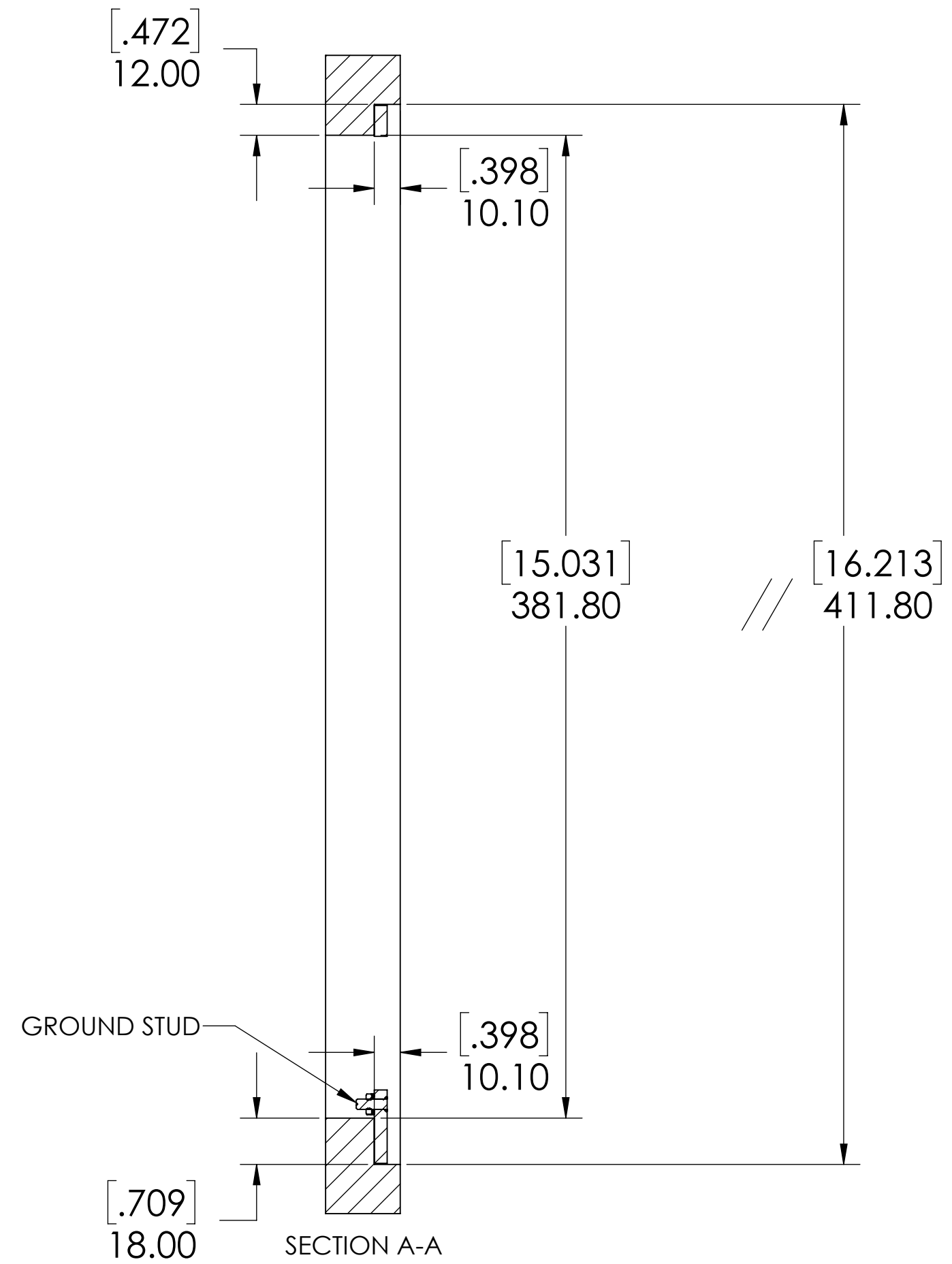
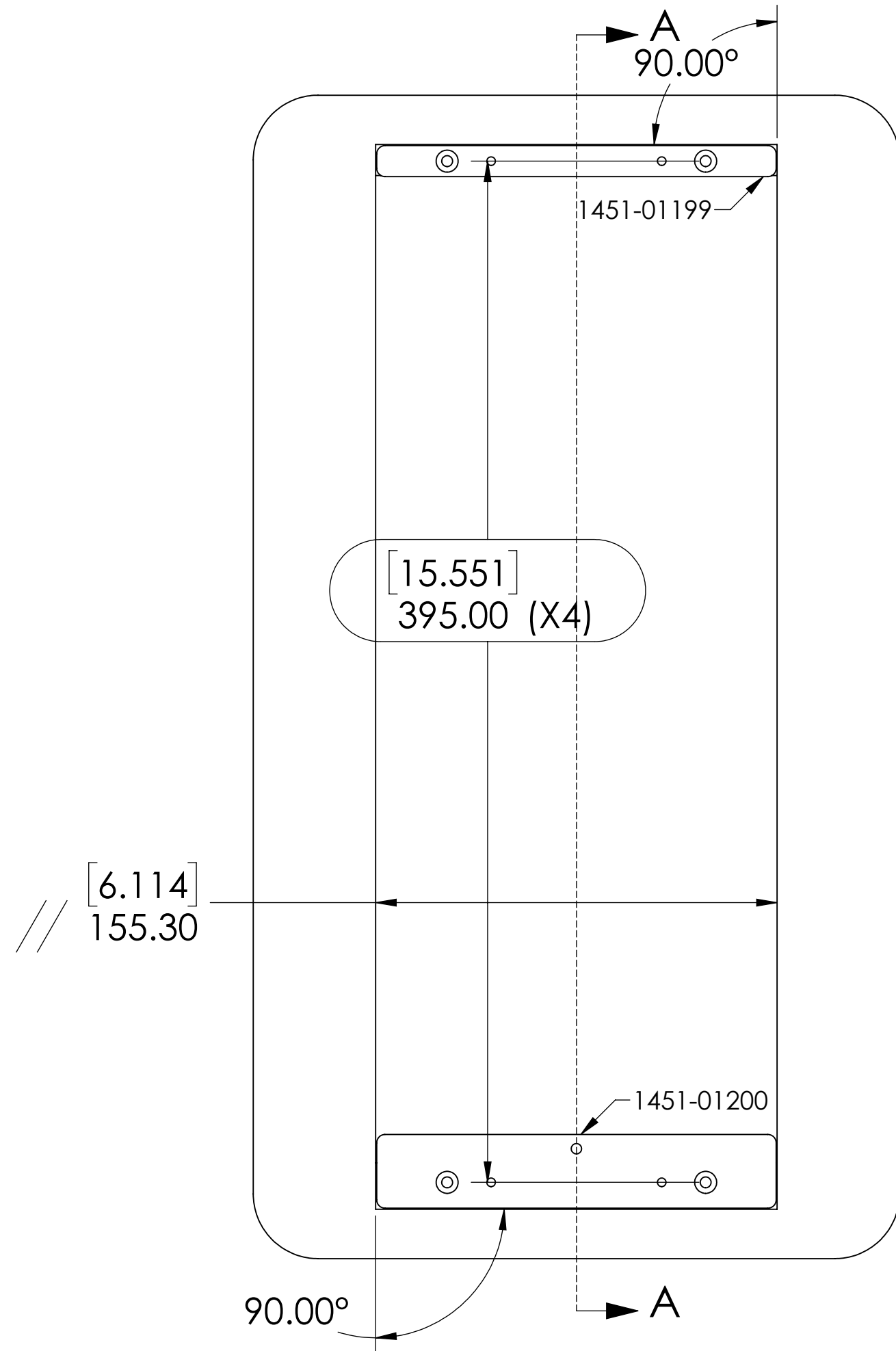
PROPRIETARY AND CONFIDENTIAL
 THE INFORMATION CONTAINED IN THIS
 DRAWING IS THE SOLE PROPERTY OF
 TELOS-SYSTEMS. ANY REPRODUCTION
 IN PART OR AS A WHOLE WITHOUT THE
 WRITTEN PERMISSION OF TELOS-SYSTEMS
 IS PROHIBITED.

TELOS-SYSTEMS
 1241 SUPERIOR AVE. EAST
 CLEVELAND, OH 44114

QUASAR 4FDR
 DIRECT MOUNT
 INSTALLATION
 GUIDE

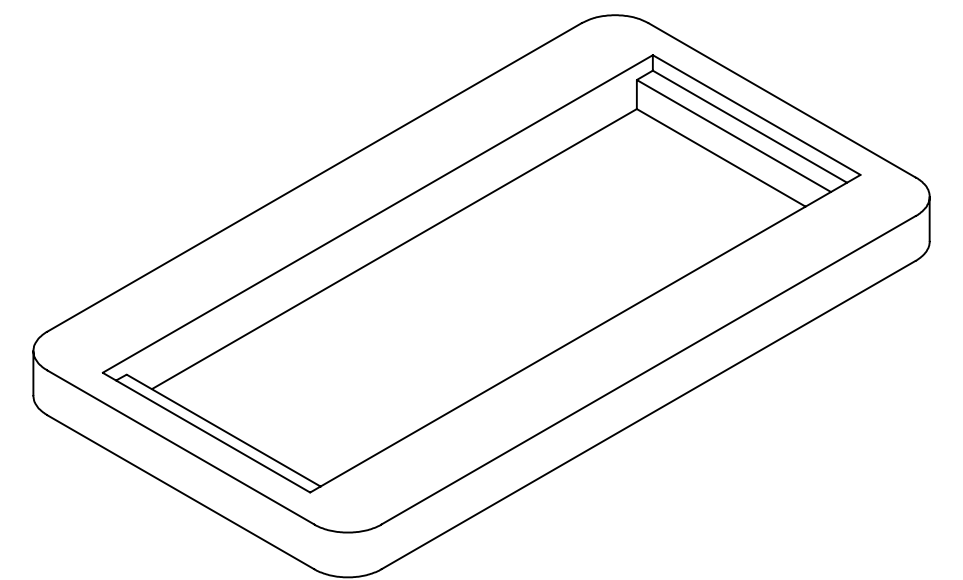
DWN. BY	SK	DATE	09-23-20
SIZE	DWG. NO.	REV	
C	1981-00009	001	
SCALE: 1:1		SHEET 1 OF 2	

SUGGESTED CONSOLE SURFACE INSTALLATION DIMENSIONS



NOTES:

1. DIMENSION UNITS ARE mm [INCH].
2. MODULE WIDTH IS 154.50 mm [6.083].
3. THE SUGGESTED WIDTH DIMENSION OF 155.30 WILL ALLOW A SLIGHT RELIEF EDGE AND ALLOW FOR MANUFACTURING TOLERANCES. THIS WIDTH DIMENSION CAN BE REVIEWED WITH THE CUSTOMER AND CAN BE ADJUSTED PER INSTALLATION.
4. DIMENSION 395.00 FOR THE 8 MOUNTING HOLES IS CRITICAL FOR MODULE FIT.
5. THE SUGGESTED DEPTH DIMENSION OF 10.10 mm SHOULD RESULT IN THE MODULE FACE TO BE FLUSH WITH THE CONSOLE SURFACE. IN THE EVENT THAT THE CUSTOMER PREFERS A SLIGHTLY HIGHER OR LOWER PROFILE, THIS DIMENSION CAN BE ADJUSTED TO ACCOMMODATE A DIFFERENT PROFILE.
6. THE DEPTH OF THE MODULE CAN BE RAISED POST INSTALLATION BY ADDING SHIMS UNDERNEATH PLATES 1451-01199 AND 1451-01200.
7. MODULE MUST HAVE CORRECT EARTH GROUND CONNECTION TO GROUND STUD FOR ESD IMMUNITY.



DWG REV	ECN NO	DATE	ENG	DFT	APPR BY	DESCRIPTION
XXX	TBD	XX-XX-XX	XX	XX	XX	SEE SHEET 1 FOR REVISION HISTORY

3rd ANGLE PROJECTION

 METRIC DRAWING (mm)
 DIMENSIONAL TOLERANCE
 UNLESS OTHERWISE
 SPECIFIED:
 XX. = ± 3.0 .XXX = ± 0.12
 .X = ± 1.0 ANG. = ± 1 DEG
 .XX = ± 0.3

PROPRIETARY AND CONFIDENTIAL
 THE INFORMATION CONTAINED IN THIS DRAWING IS THE SOLE PROPERTY OF TELOS-SYSTEMS. ANY REPRODUCTION IN PART OR AS A WHOLE WITHOUT THE WRITTEN PERMISSION OF TELOS-SYSTEMS IS PROHIBITED.

TELOS-SYSTEMS
 1241 SUPERIOR AVE. EAST
 CLEVELAND, OH 44114

QUASAR 4FDR
 DIRECT MOUNT
 INSTALLATION
 GUIDE

DWN. BY	SK	DATE	09-23-20
SIZE	DWG. NO.	REV	
C	1981-00009	001	
SCALE: 1:2		SHEET 2 OF 2	