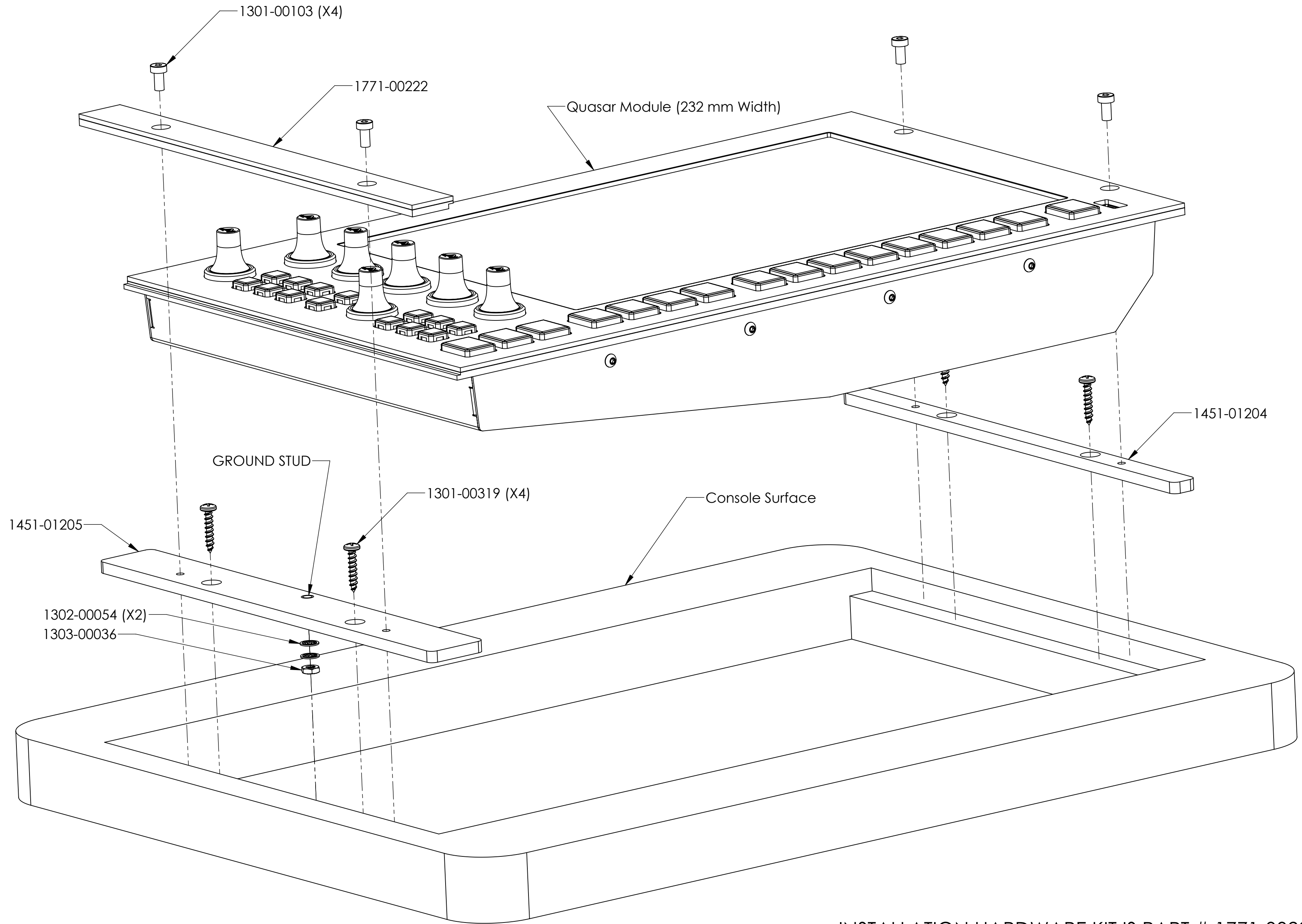


INSTALLATION GUIDE FOR DIRECT MOUNTING 232 mm WIDTH QUASAR MODULES



INSTALLATION HARDWARE KIT IS PART # 1771-00223

DWG REV	ECN NO	DATE	ENG	DFT	APPR BY	DESCRIPTION
001	TBD	10-19-20	SK	SK	XX	INITIAL RELEASE

3rd ANGLE PROJECTION

METRIC DRAWING (mm)
DIMENSIONAL TOLERANCE
UNLESS OTHERWISE
SPECIFIED:
.XX = ± 3.0 .XXX = ± 0.12
.X = ± 1.0 ANG. = ± 1 DEG
.XX = ± 0.3

PROPRIETARY AND CONFIDENTIAL

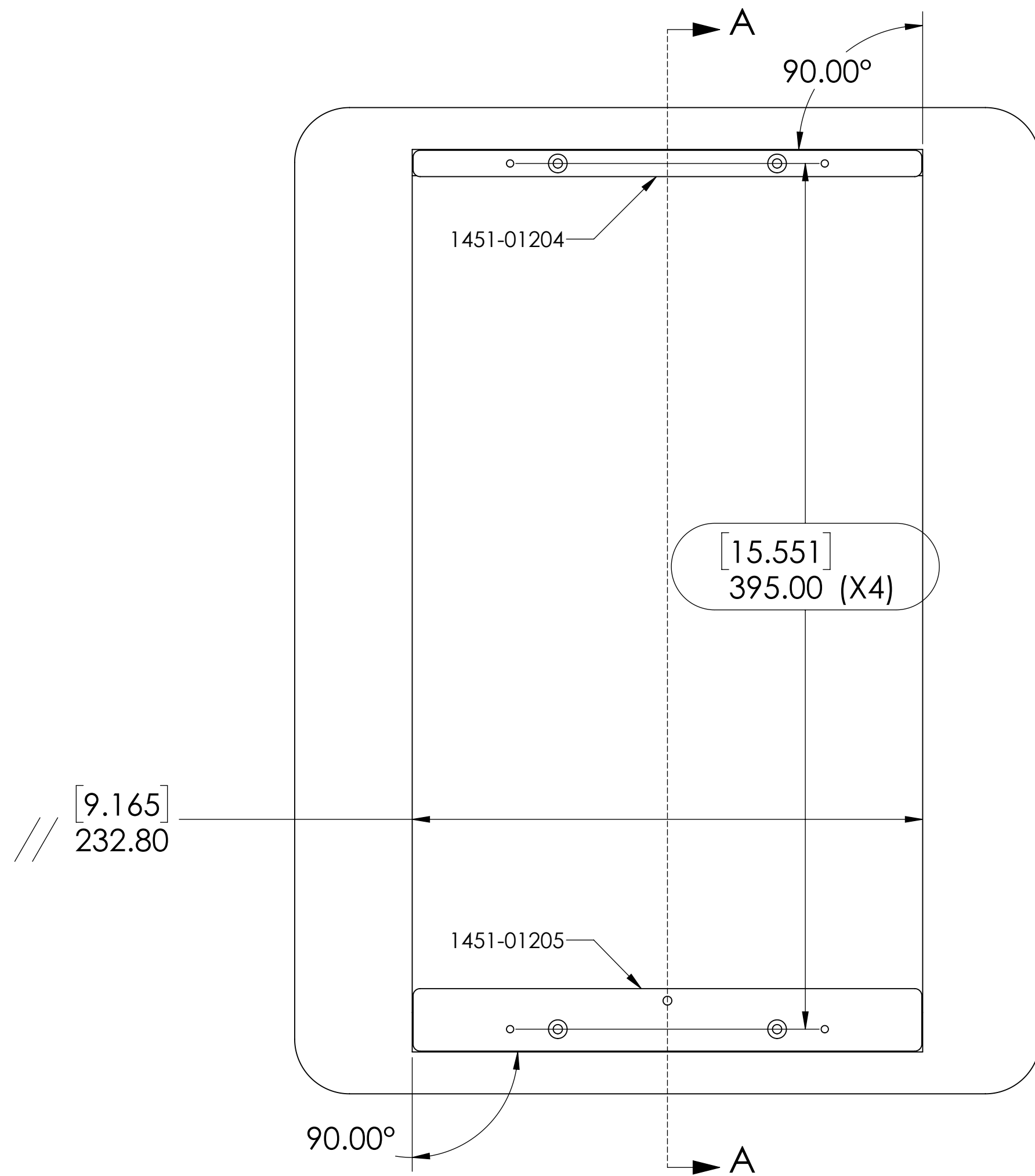
THE INFORMATION CONTAINED IN THIS DRAWING IS THE SOLE PROPERTY OF TELOS-SYSTEMS. ANY REPRODUCTION IN PART OR AS A WHOLE WITHOUT THE WRITTEN PERMISSION OF TELOS-SYSTEMS IS PROHIBITED.

TELOS-SYSTEMS
1241 SUPERIOR AVE. EAST
CLEVELAND, OH 44114

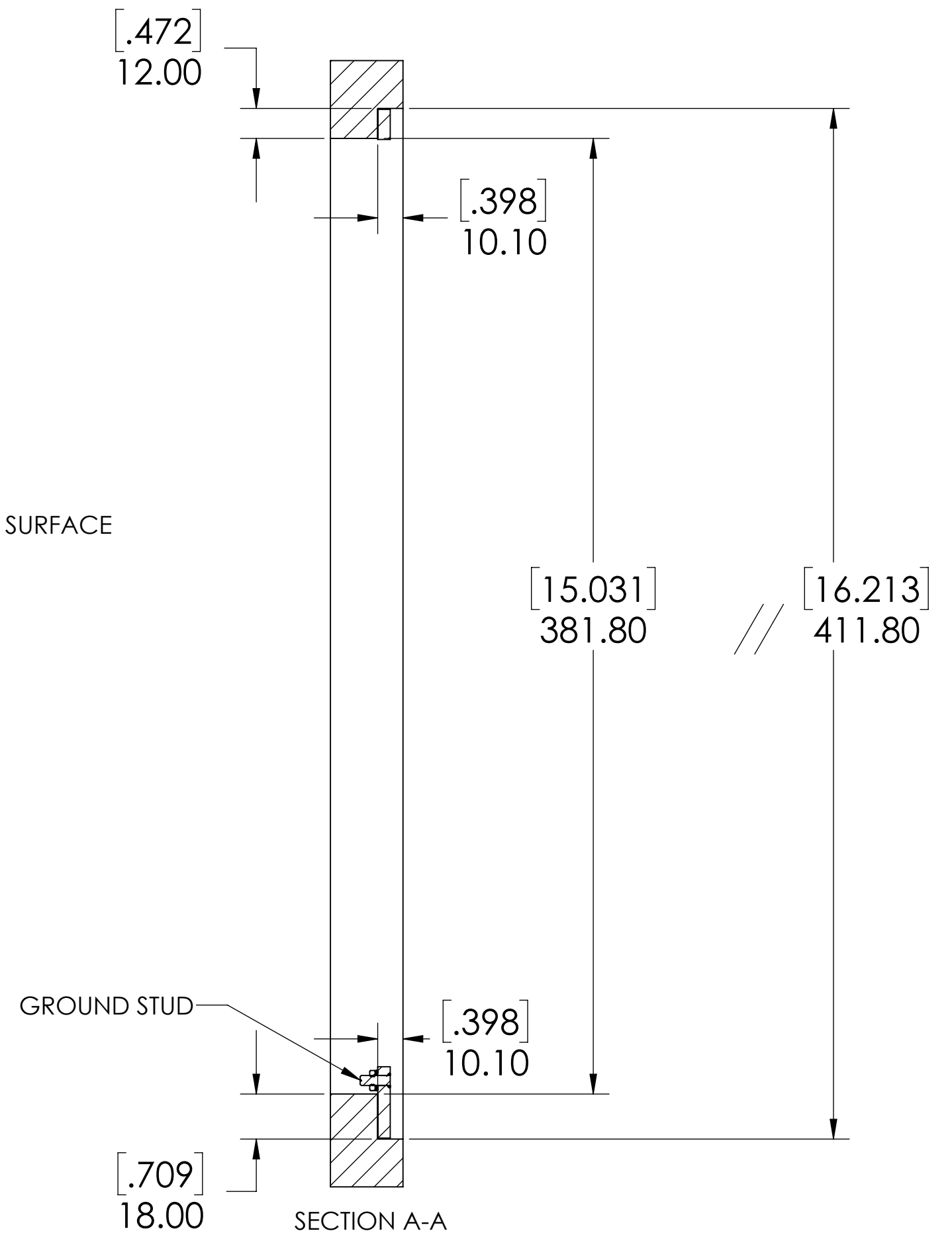
**QUASAR MON
DIRECT MOUNT
INSTALLATION
GUIDE**

DWN. BY	SK	DATE	10-19-20
SIZE	DWG. NO.	REV	
C	1981-00010	001	
SCALE: 1:1		SHEET 1 OF 2	

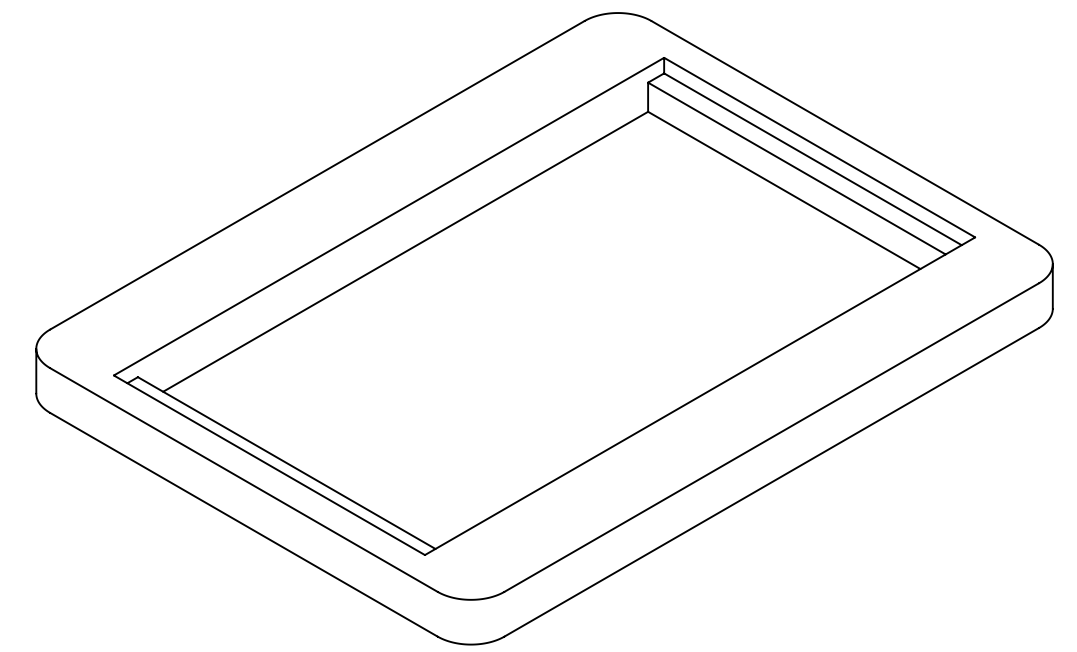
SUGGESTED CONSOLE SURFACE INSTALLATION DIMENSIONS



CONSOLE SURFACE



SECTION A-A



NOTES:

1. DIMENSIONS UNITS ARE mm [INCH].
2. MODULE WIDTH IS 232 mm [9.134].
3. THE SUGGESTED WIDTH DIMENSION OF 232.80 WILL ALLOW A SLIGHT RELIEF EDGE AND ALLOW FOR MANUFACTURING TOLERANCES. THIS WIDTH DIMENSION CAN BE REVIEWED WITH THE CUSTOMER AND CAN BE ADJUSTED PER INSTALLATION.
4. DIMENSION 395.00 FOR THE 8 MOUNTING HOLES IS CRITICAL FOR MODULE FIT.
5. THE SUGGESTED DEPTH DIMENSION OF 10.10 mm SHOULD RESULT IN THE MODULE FACE TO BE FLUSH WITH THE CONSOLE SURFACE. IN THE EVENT THAT THE CUSTOMER PREFERS A SLIGHTLY HIGHER OR LOWER PROFILE, THIS DIMENSION CAN BE ADJUSTED TO ACCOMMODATE A DIFFERENT PROFILE.
6. THE DEPTH OF THE MODULE CAN BE RAISED POST INSTALLATION BY ADDING SHIMS UNDERNEATH PLATES 1451-01204 AND 1451-01205.
7. MODULE MUST HAVE CORRECT EARTH GROUND CONNECTION TO GROUND STUD FOR ESD IMMUNITY.

DWG REV	ECN NO	DATE	ENG	DFI	APPR BY	DESCRIPTION
XXX	TBD	XX-XX-XX	XX	XX	XX	SEE SHEET 1 FOR REVISION HISTORY

3rd ANGLE PROJECTION

 METRIC DRAWING (mm)
 DIMENSIONAL TOLERANCE UNLESS OTHERWISE SPECIFIED:
 XX. = ± 3.0 .XXX = ± 0.12
 .X = ± 1.0 ANG. = ± 1 DEG
 .XX = ± 0.3

PROPRIETARY AND CONFIDENTIAL
 THE INFORMATION CONTAINED IN THIS DRAWING IS THE SOLE PROPERTY OF TELOS-SYSTEMS. ANY REPRODUCTION IN PART OR AS A WHOLE WITHOUT THE WRITTEN PERMISSION OF TELOS-SYSTEMS IS PROHIBITED.

TELOS-SYSTEMS
 1241 SUPERIOR AVE. EAST
 CLEVELAND, OH 44114

QUASAR MON
 DIRECT MOUNT
 INSTALLATION
 GUIDE

DWN. BY	SK	DATE	10-19-20
SIZE	DWG. NO.	REV	
C	1981-00010	001	
SCALE: 1:2		SHEET 2 OF 2	